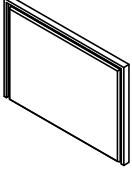


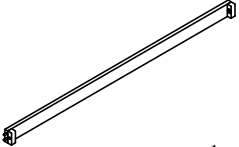







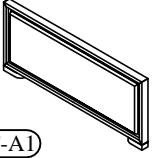
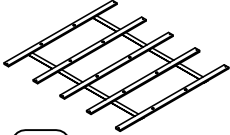
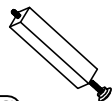
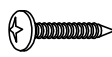

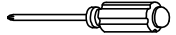
Warning :

- Be sure to check all packing material carefully for small parts, which may have come loose inside the carton during shipment.
- To prevent possible scratches and damage, this furniture **MUST BE ASSEMBLED BY TWO PEOPLE** on a soft surface such as a blanket or carpet.

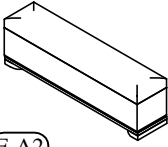
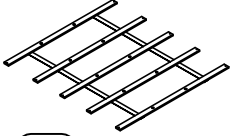

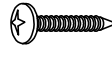

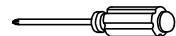
Hardware and Parts packed with the Headboard

<p>27180 - King Uph Headboard</p>  <p>(H-A) 1 pc.</p>	<p>Headboard Post (Left)</p>  <p>(H-B) 1 pc.</p>	<p>Headboard Post (Right)</p>  <p>(H-C) 1 pc.</p>	<p>Headboard Stretcher</p>  <p>(H-D) 1 pc.</p>	
<p>Ø5/16"-18 x 1-1/4" Allen Head Bolt</p>  <p>(H-E) 10 pcs.</p>	<p>Ø5/16" Spring Washer</p>  <p>(H-F) 10 pcs.</p>	<p>Ø5/16" x 19*2mm Flat Washer</p>  <p>(H-G) 10 pcs.</p>	<p>5mm Allen Key</p>  <p>(H-H) 1 pc.</p>	<p>Upholstery Tack</p>  <p>4 pcs.</p>

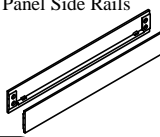




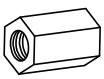

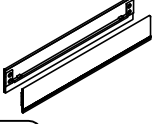


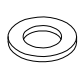

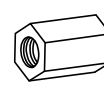


Hardware and Parts packed with the Footboard

<p>27181- King Uph Footboard</p>  <p>(F-A1) 1 pc.</p>	<p>Wood Slat 77-1/4" long</p>  <p>(F-B) 1 Set.</p>	<p>Slat Support Leg 6-3/4" x 1-1/4" x 1-1/4"</p>  <p>(F-C) 10 pcs.</p>	<p>#8 x 1" Wood Screw</p>  <p>(F-D) 10 pcs.</p>	<p>Upholstery Tack</p>  <p>4 pcs.</p>	<p>Screw Driver not included</p> 
---	--	---	---	---	--

Hardware and Parts packed with the Storage Footboard

<p>27183 Uph Storage Footboard</p>  <p>(F-A2) 1 pc.</p>	<p>Wood Slat 77-1/4" long</p>  <p>(F-B) 1 Set.</p>	<p>Slat Support Leg 6-3/4" x 1-1/4" x 1-1/4"</p>  <p>(F-C) 10 pcs.</p>	<p>#8 x 1" Wood Screw</p>  <p>(F-D) 10 pcs.</p>	<p>Upholstery Tack</p>  <p>4 pcs.</p>	<p>Screw Driver not included</p> 
--	---	---	--	--	--

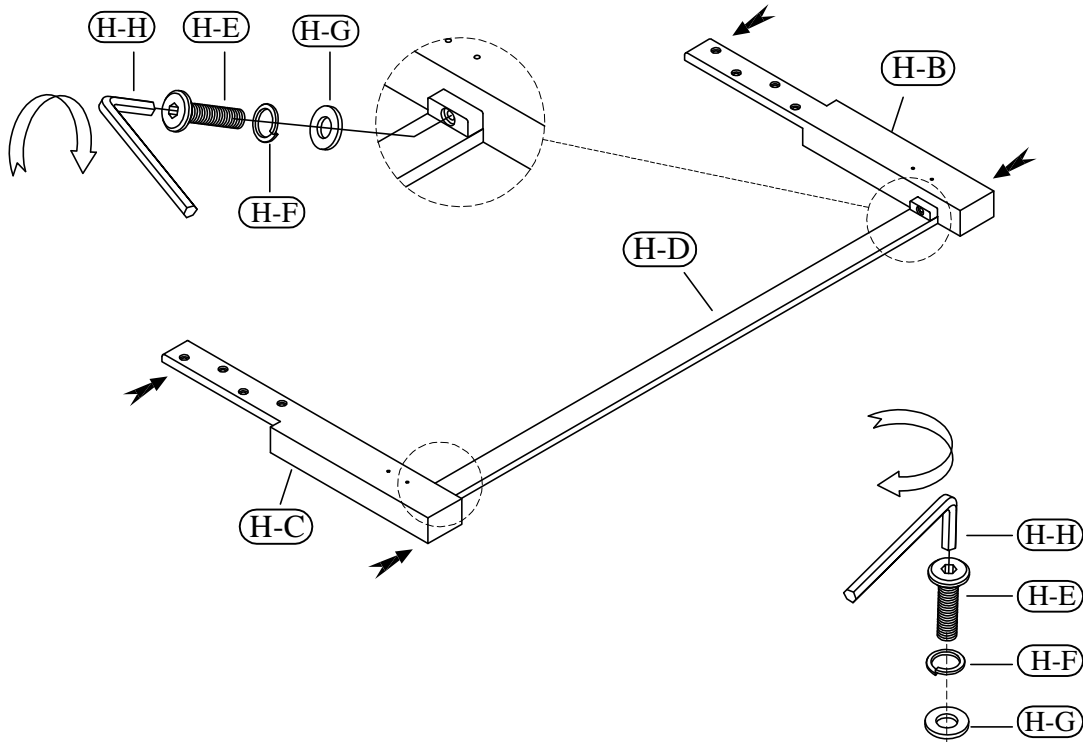
Hardware and Parts packed with the Bed Rail

<p>27172 Panel Side Rails</p>  <p>(R-A1) 2 pcs.</p>	<p>Ø5/16"-18 x 3-1/2" All-Thread Bolt</p>  <p>(R-B) 8 pcs.</p>	<p>Ø5/16" Curved Washer</p>  <p>(R-C) 8 pcs.</p>	<p>Ø5/16" x 16*2mm Flat Washer</p>  <p>(R-D) 8 pcs.</p>	<p>Ø5/16" Spring Washer</p>  <p>(R-E) 8 pcs.</p>	<p>Ø5/16 x L17 Nut</p>  <p>(R-F) 8 pcs.</p>	<p>Open Wrench 12mm</p>  <p>(R-G) 1 pc.</p>
<p>27176 Uph Side Rails</p>  <p>(R-A2) 2 pcs.</p>	<p>Ø5/16"-18 x 3-1/2" All-Thread Bolt</p>  <p>(R-B) 8 pcs.</p>	<p>Ø5/16" Curved Washer</p>  <p>(R-C) 8 pcs.</p>	<p>Ø5/16" x 16*2mm Flat Washer</p>  <p>(R-D) 8 pcs.</p>	<p>Ø5/16" Spring Washer</p>  <p>(R-E) 8 pcs.</p>	<p>Ø5/16 x L17 Nut</p>  <p>(R-F) 8 pcs.</p>	<p>Open Wrench 12mm</p>  <p>(R-G) 1 pc.</p>
<p>Upholstery Tack</p>  <p>4 pcs.</p>	<p><u>6/0-6/6 King Bed</u></p> <p>27180 -- 6/0-6/6 Uph Headboard</p> <p>27181 -- 6/0-6/6 Uph Footboard</p> <p>27172 -- 5/0-6/6 Panel Side Rails</p>		<p><u>6/0-6/6 King Bed</u></p> <p>27180 -- 6/0-6/6 Uph Headboard</p> <p>27183 -- 6/0-6/6 Uph Storage Footboard</p> <p>27176 -- 5/0-6/6 Storage Bed Rails</p>			

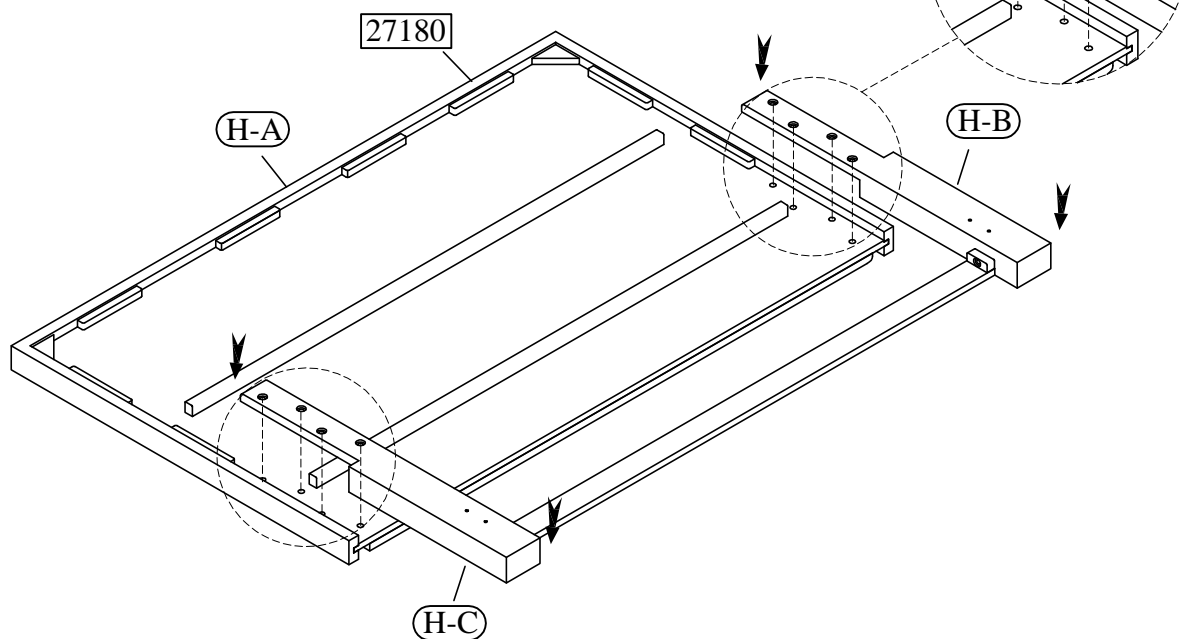
King Bed

27180 --6/0-6/6 Uph Headboard

STEP 1



STEP 2

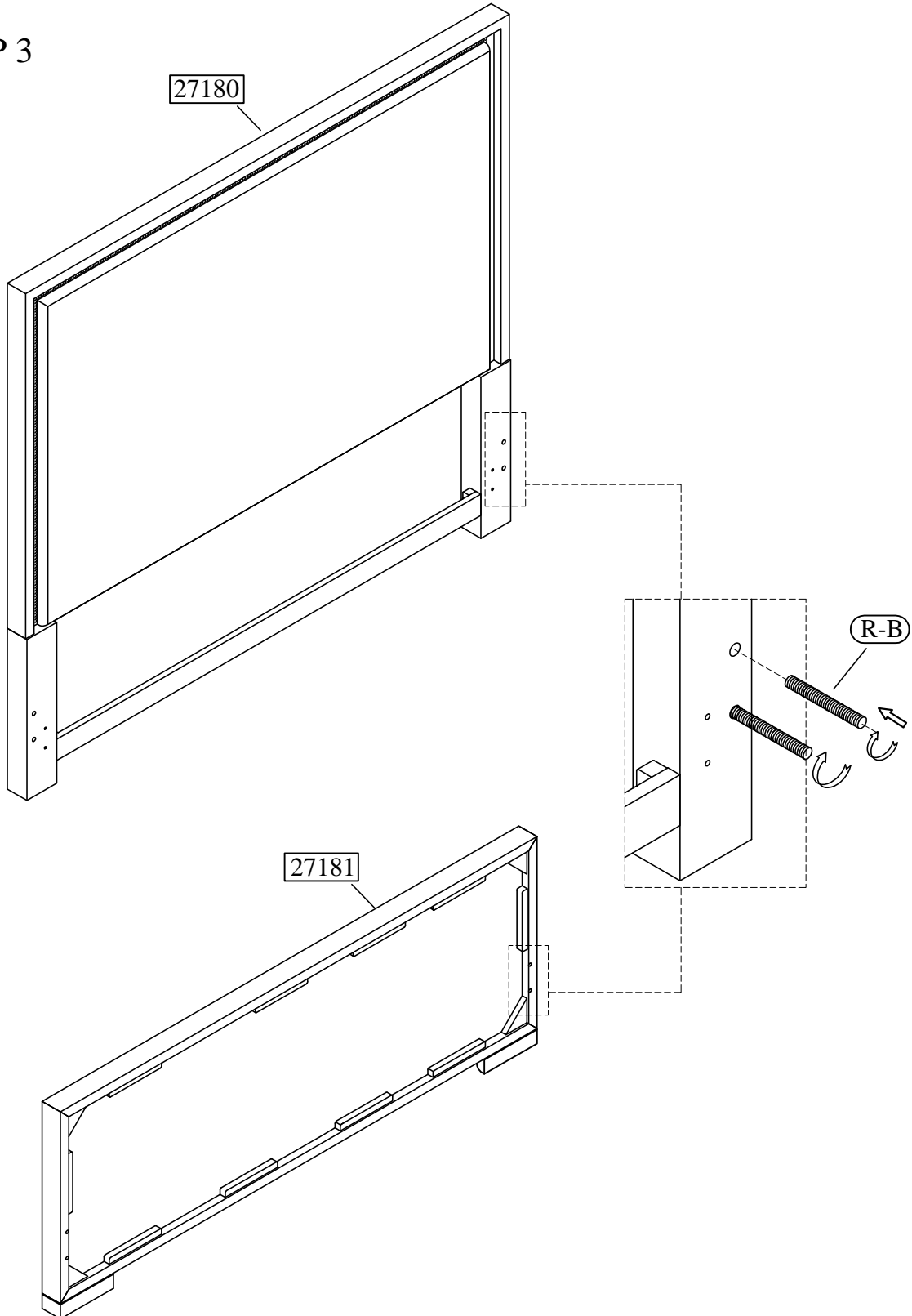


King Bed

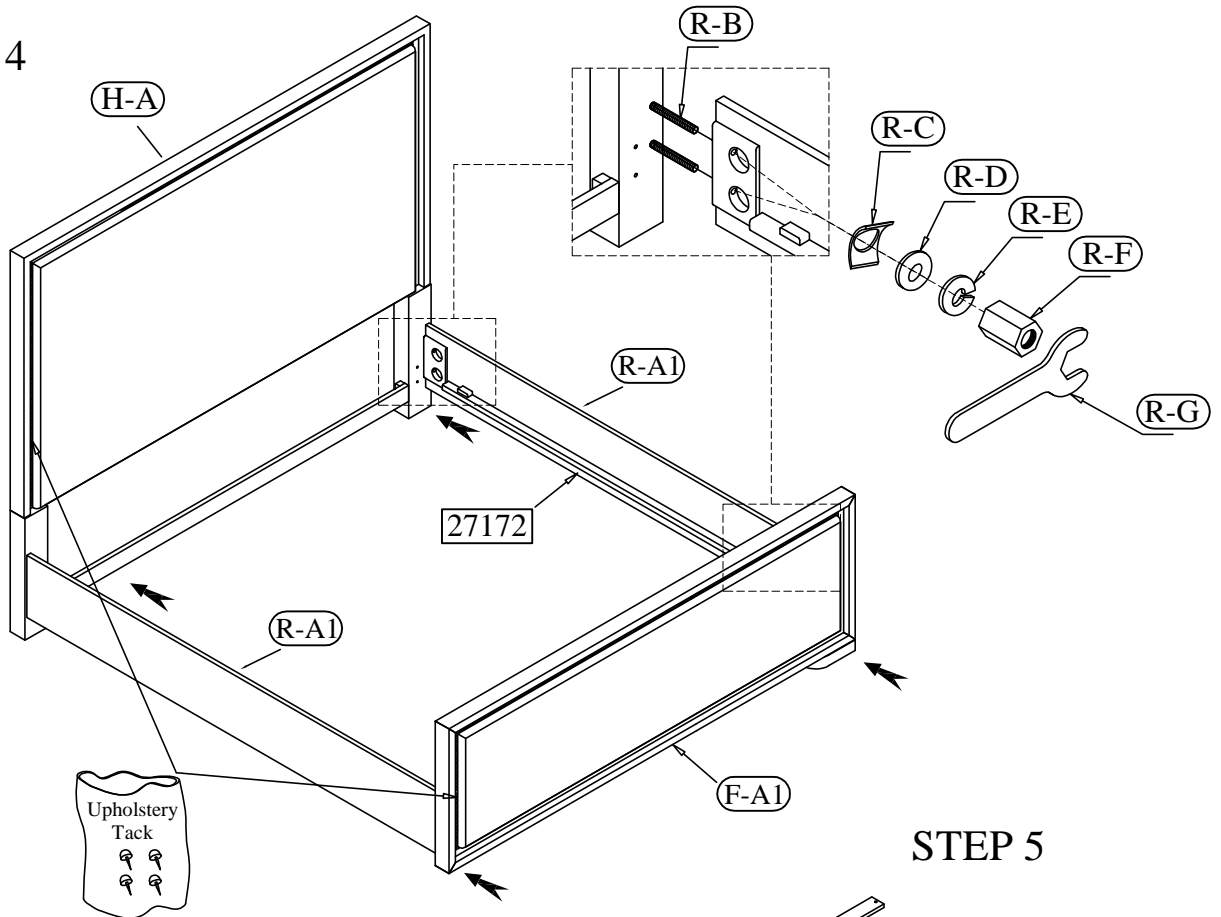
27180 --6/0-6/6 Uph Headboard

27181 -- 6/0-6/6 Uph Footboard

STEP 3

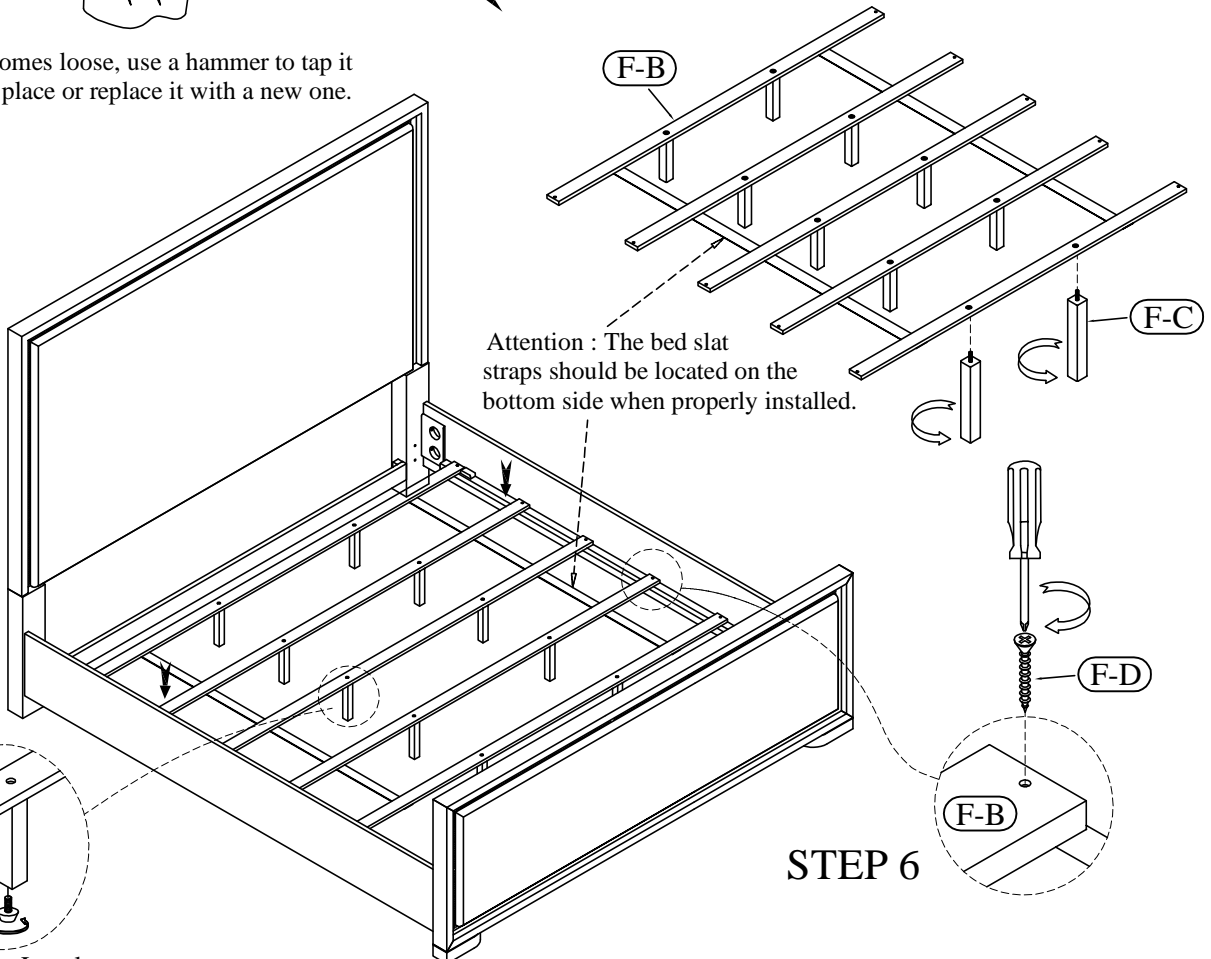


STEP 4



If a tack comes loose, use a hammer to tap it back into place or replace it with a new one.

STEP 5



STEP 6

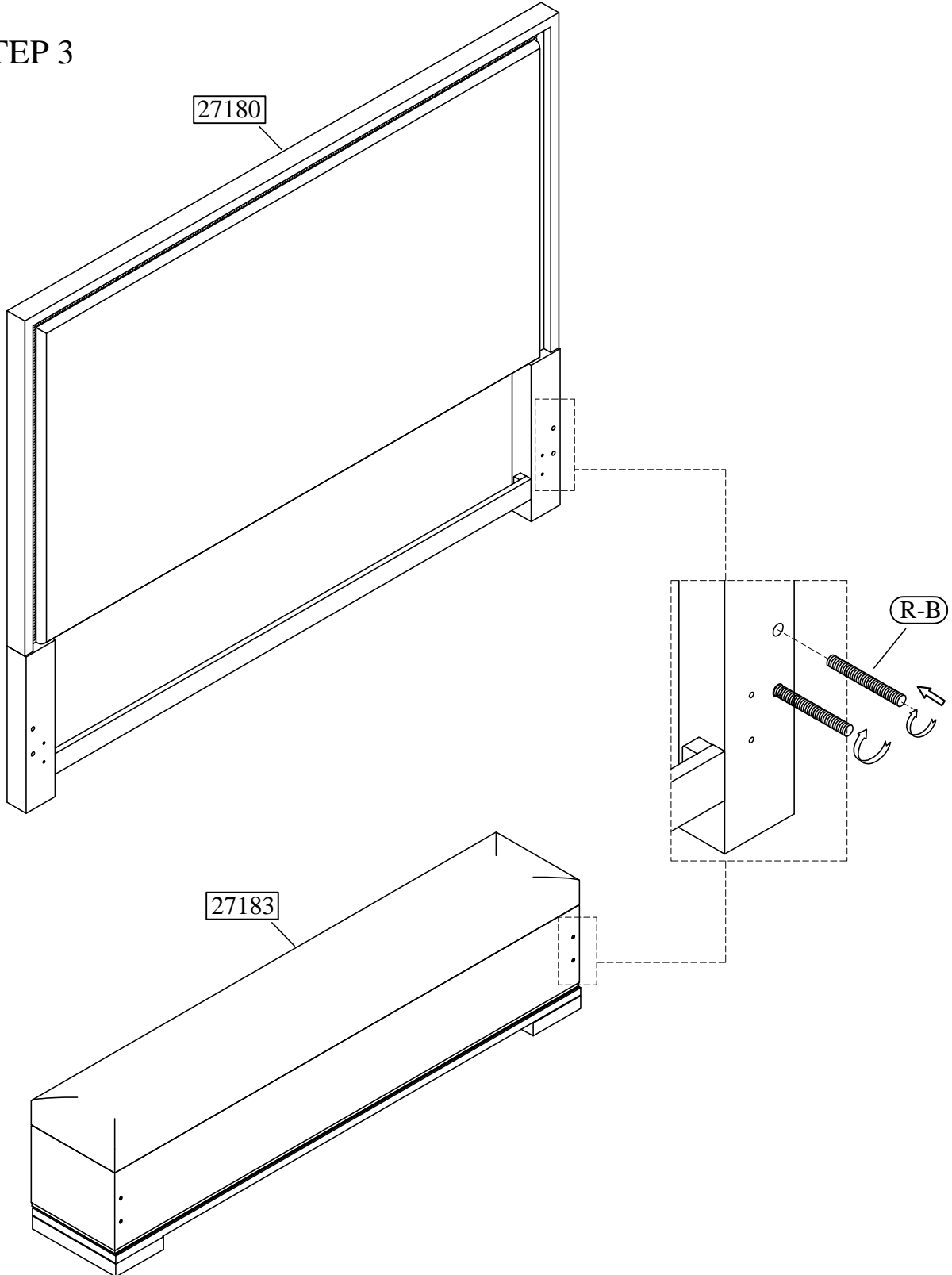
Adjustable Leveler

6/0-6/6 King Bed

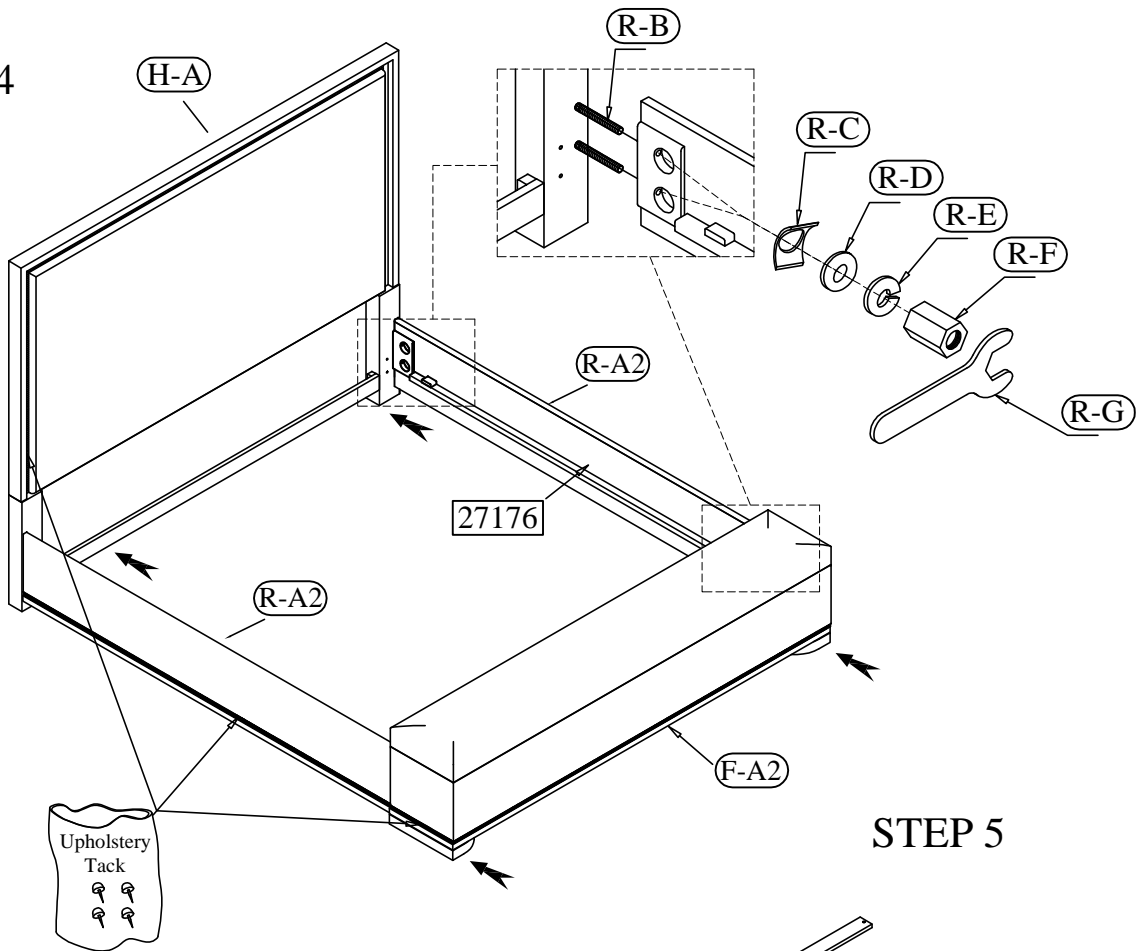
27180 -- 6/0-6/6 Uph Headboard

27183 -- 6/0-6/6 Uph Storage Footboard

STEP 3

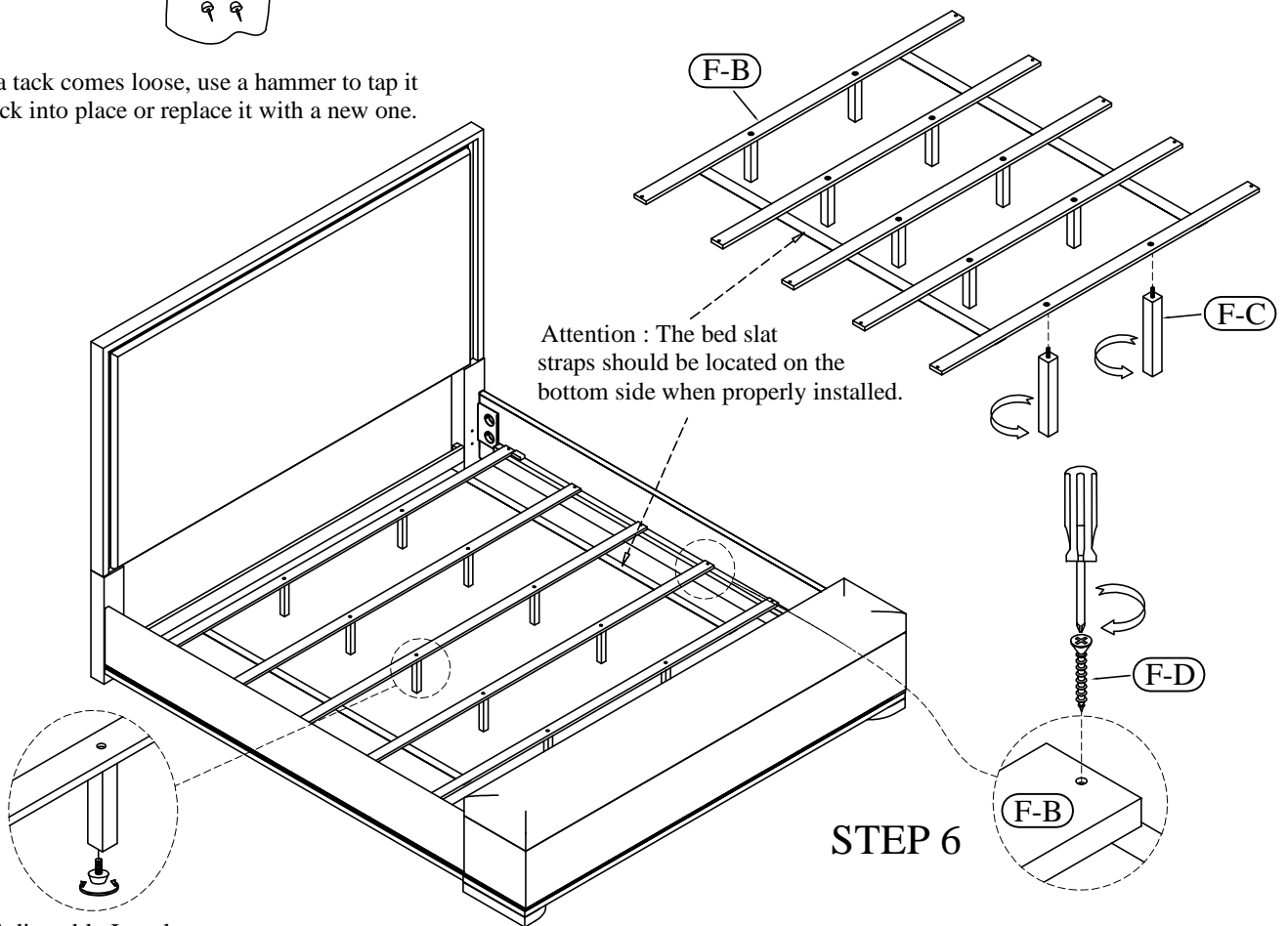


STEP 4



If a tack comes loose, use a hammer to tap it back into place or replace it with a new one.

STEP 5



STEP 6

Adjustable Leveler